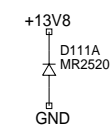
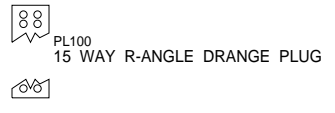


DGND & GND ARE JOINED THROUGH R617 ON SHEET 6

OUT-OF-CIRCUIT-DATA SHEET 10

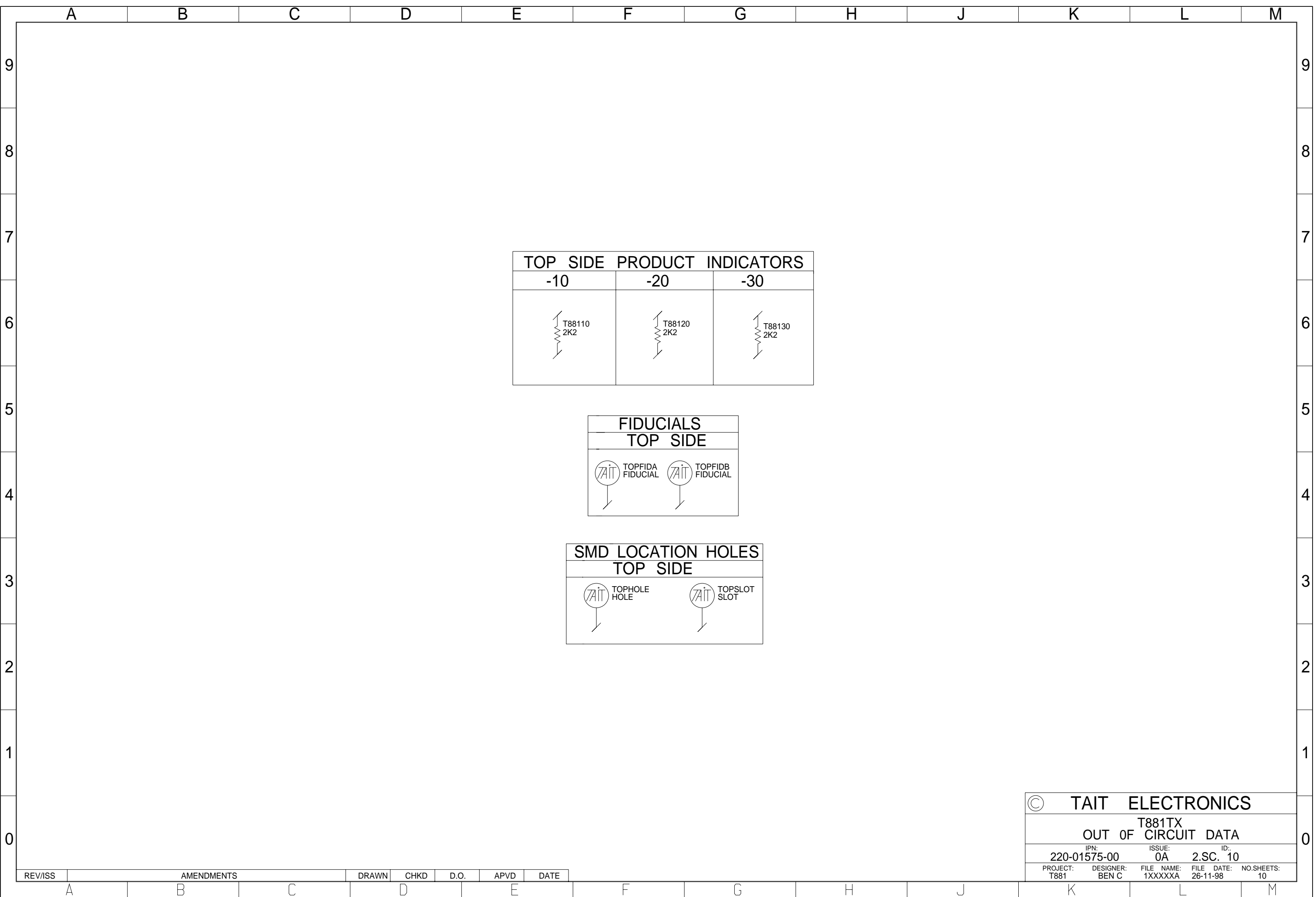


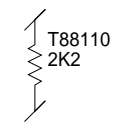
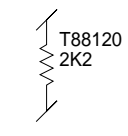
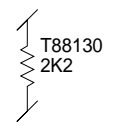
03A		MAJ				
2B	CORRECTED VALUES TO T857-20	DAVEE				5-FEB-98
2A	TOP SIDE VERSION	DAVES				
1A		RICHARD				
0A	ORIGINAL	DAVES				
REV/ISS	AMENDMENTS	DRAWN	CHKD	D.O.	APVD	DATE

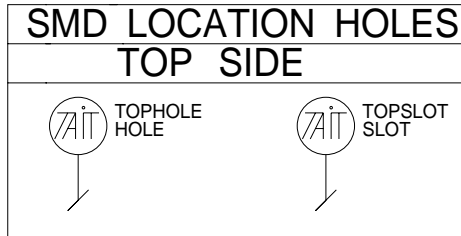
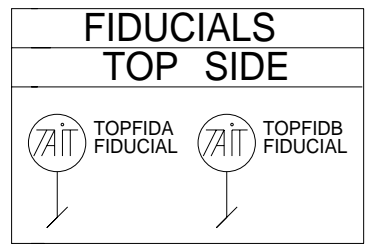


© TAIT ELECTRONICS
T881TX

IPN: 220-01575-00	ISSUE: 0A	ID: 2.SC. 1
PROJECT: T881	DESIGNER: BEN C	FILE NAME: 1XXXXXX
	FILE DATE: 26-11-98	NO.SHEETS: 10

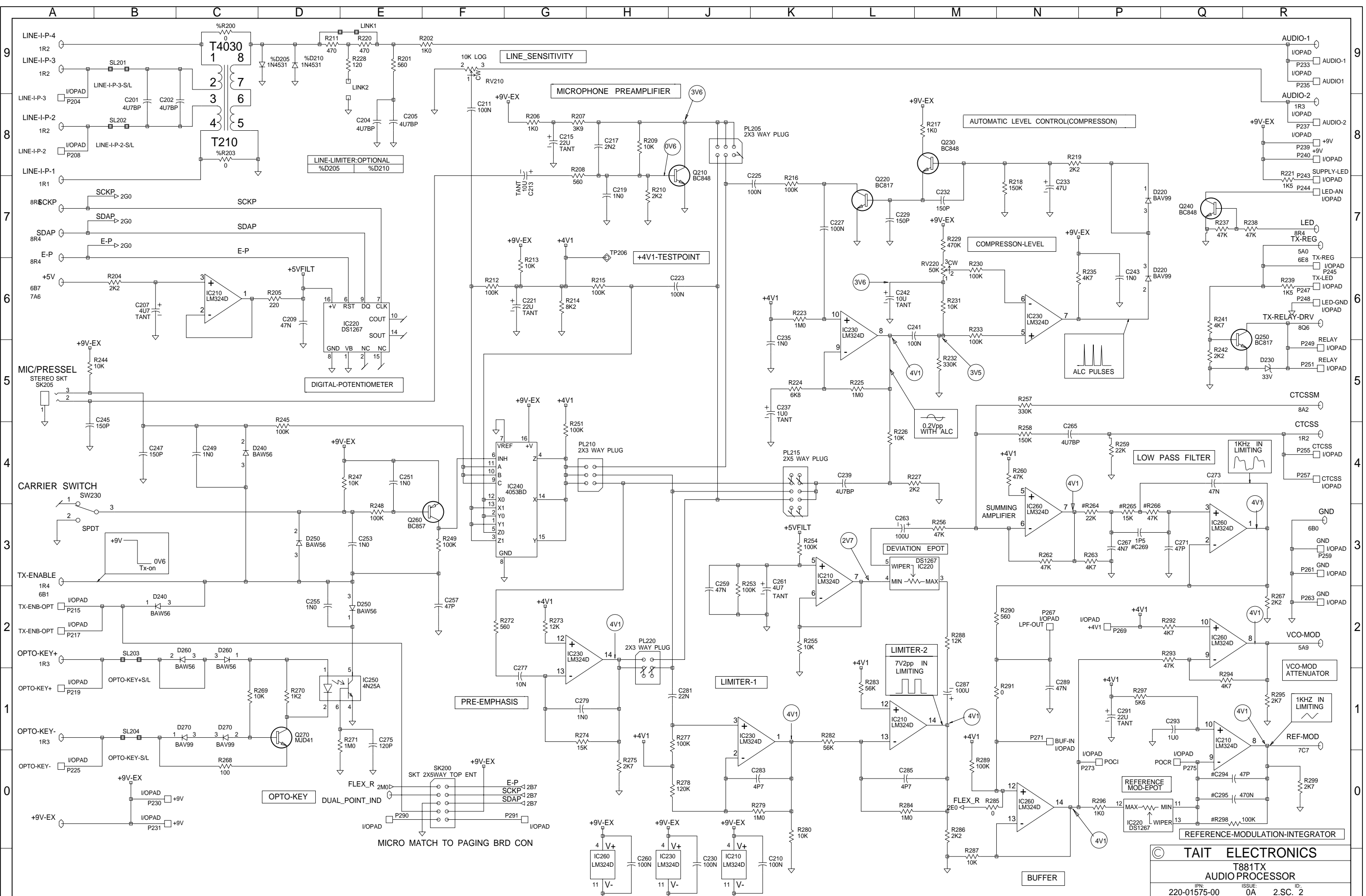


TOP SIDE PRODUCT INDICATORS		
-10	-20	-30
 T88110 2K2	 T88120 2K2	 T88130 2K2



© TAIT ELECTRONICS				
T881TX				
OUT OF CIRCUIT DATA				
IPN: 220-01575-00		ISSUE: 0A		ID: 2.SC. 10
PROJECT: T881	DESIGNER: BEN C	FILE NAME: 1XXXXXA	FILE DATE: 26-11-98	NO.SHEETS: 10

REV/ISS	AMENDMENTS	DRAWN	CHKD	D.O.	APVD	DATE

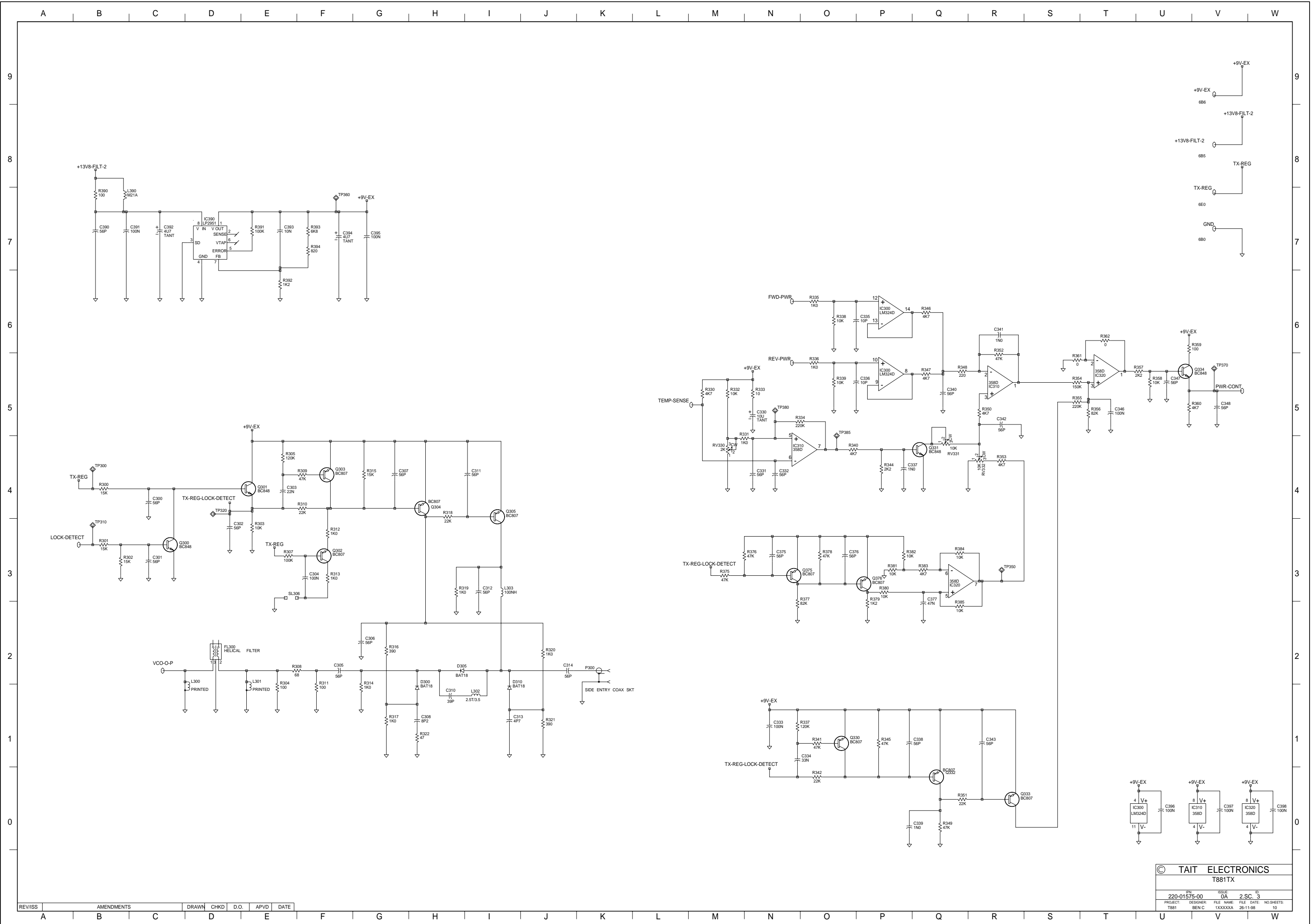


REV/ISS	AMENDMENTS	DRAWN	CHKD	D.O.	APVD	DATE

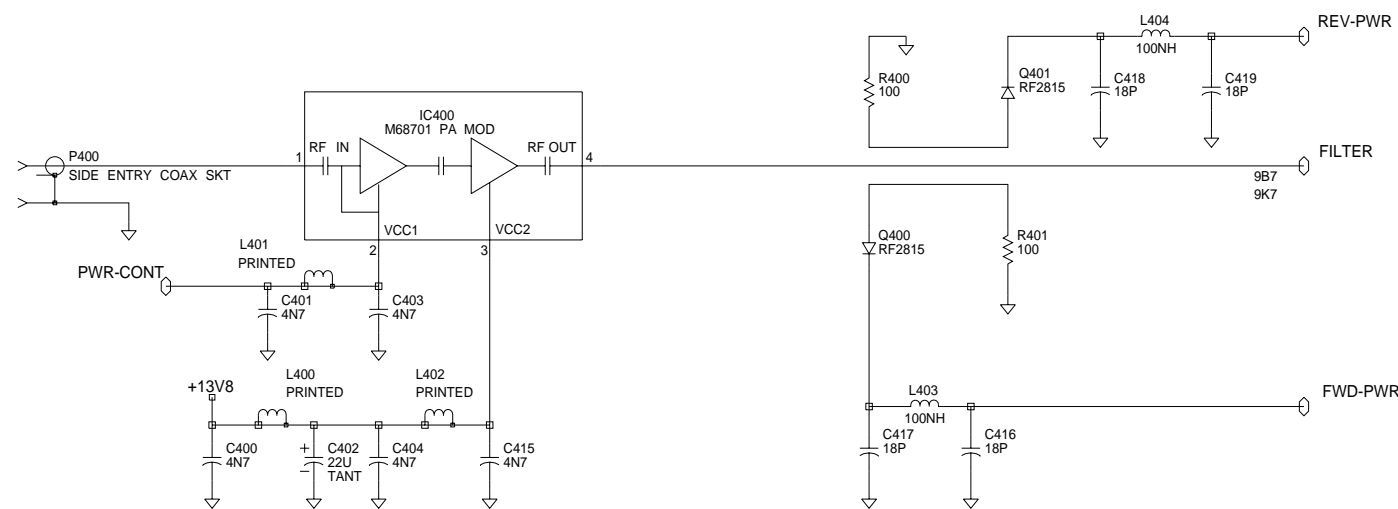
TAIT ELECTRONICS

T881TX
AUDIO PROCESSOR

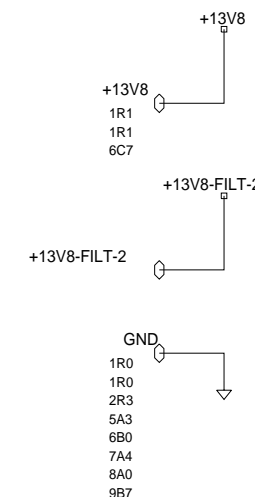
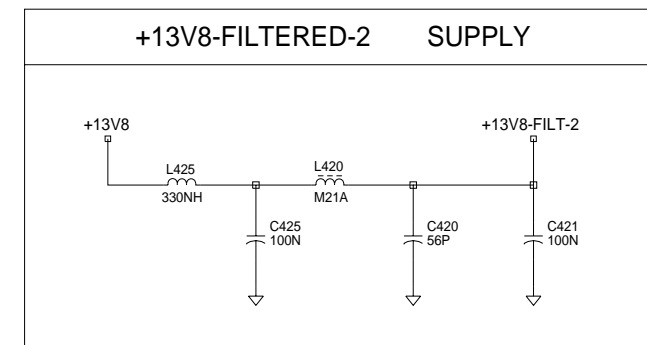
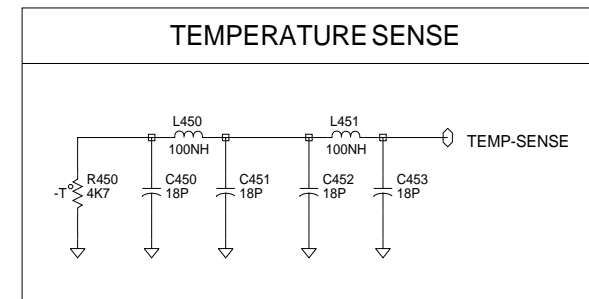
IPN: 220-01575-00	ISSUE: 0A	ID: 2.S.C. 2
PROJECT: T881	DESIGNER: BEN C	FILE NAME: 1XXXXXX
		DATE: 26-11-98
		NO. SHEETS: 10



REV/ISS	AMENDMENTS	DRAWN	CHKD	D.O.	APVD	DATE
A						

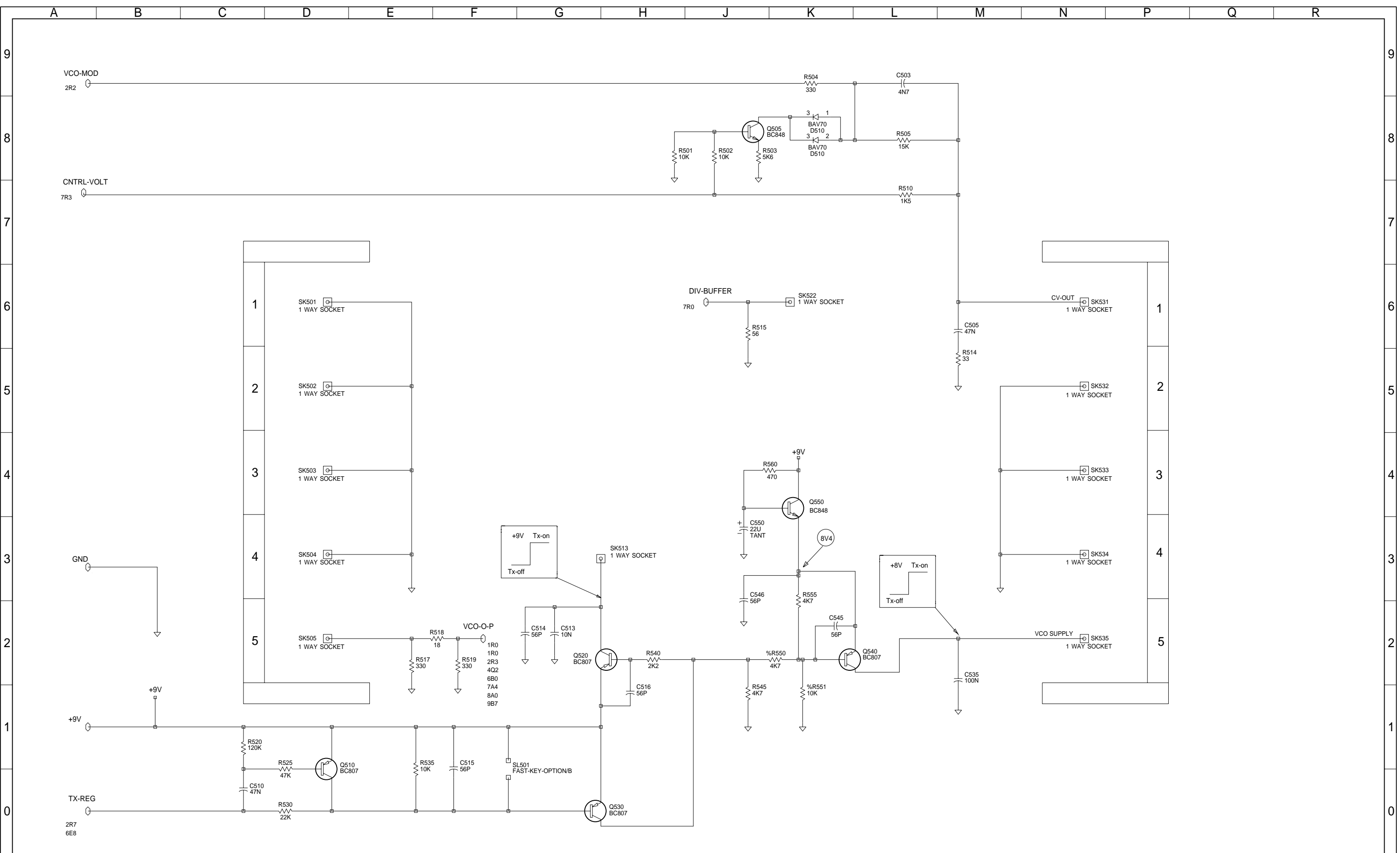


————— POWER AMPLIFIER ————— DIRECTIONAL COUPLER —————



© TAIT ELECTRONICS			
T881TX			
IPN:	ISSUE:	ID:	
220-01575-00	0A	2.SC. 4	
PROJECT:	DESIGNER:	FILE NAME:	FILE DATE: NO.SHEETS:
T881	BEN C	1XXXXXXA	26-11-98 10

REV/ISS	AMENDMENTS	DRAWN	CHKD	D.O.	APVD	DATE
A						

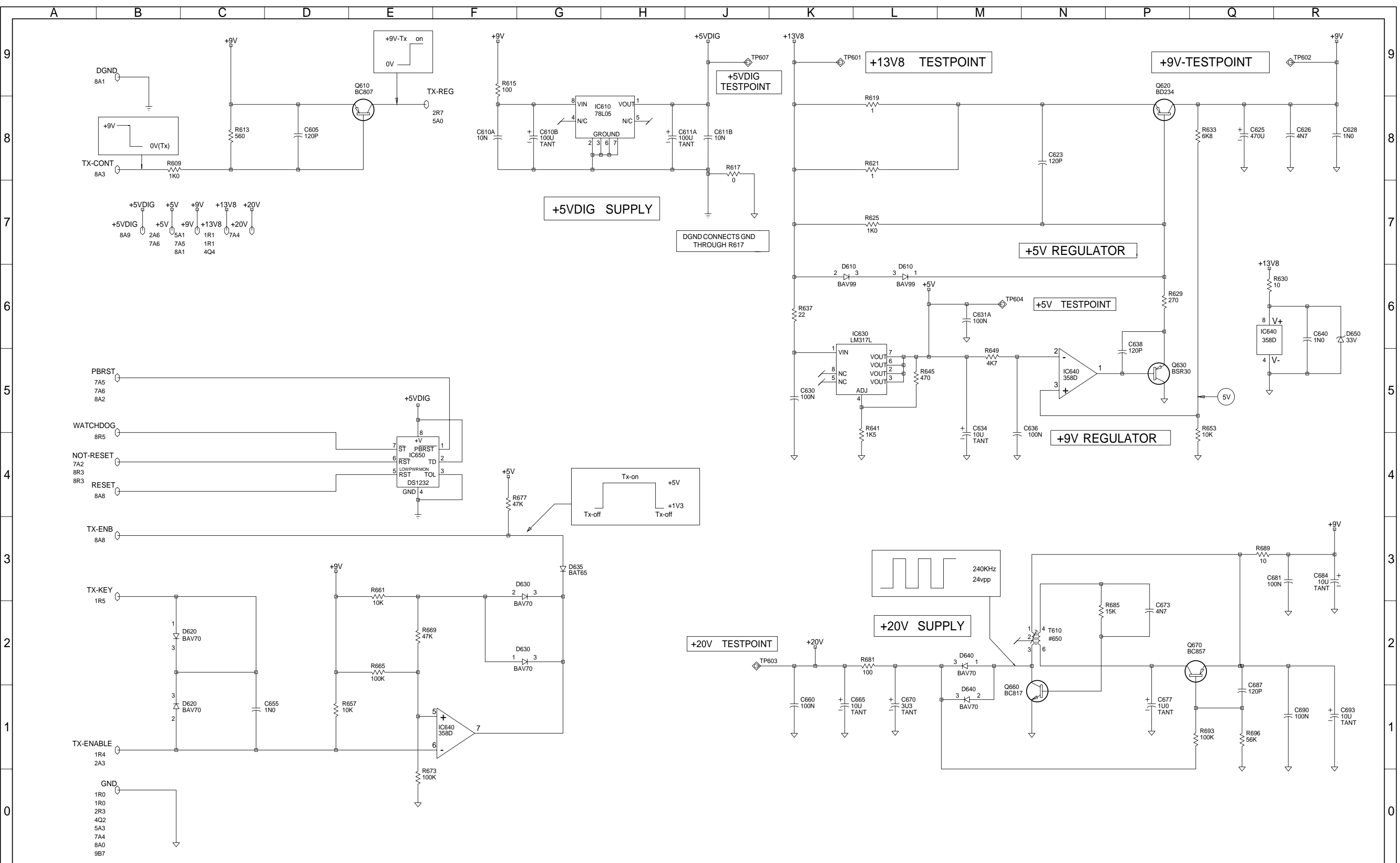


© TAIT ELECTRONICS

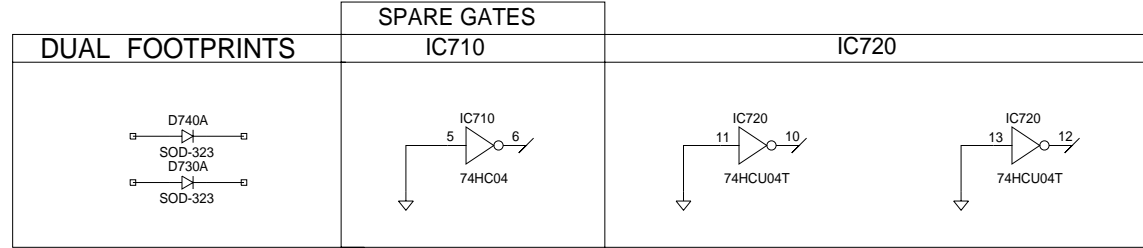
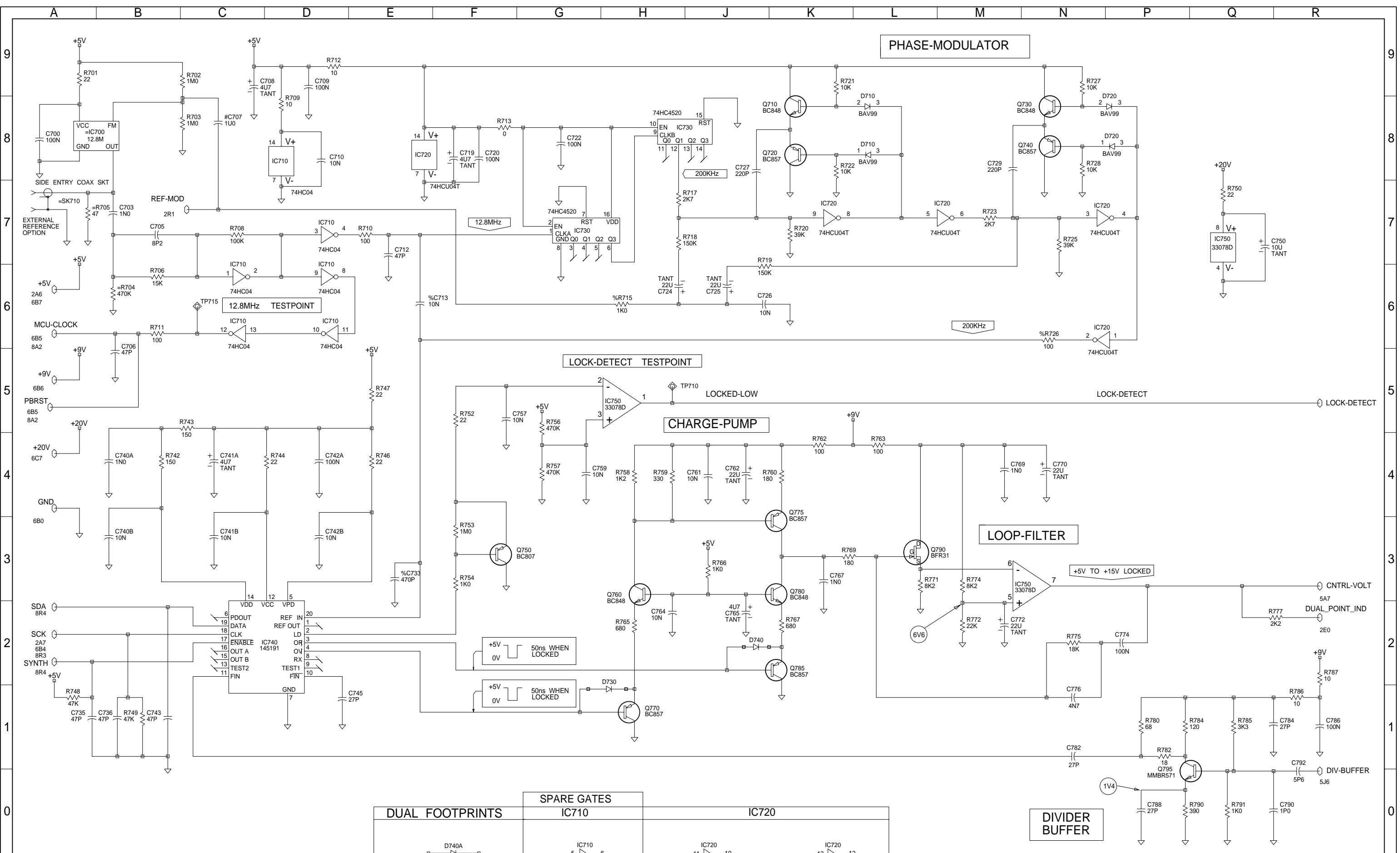
T881TX
VCO-SUB-ASSY

IPN: 220-01575-00	ISSUE: 0A	ID: 2.S.C. 5
PROJECT: T881	DESIGNER: BEN C	FILE NAME: 1XXXXXX
FILE DATE: 26-11-98	NO. SHEETS: 10	

REV/ISS	AMENDMENTS	DRAWN	CHKD	D.O.	APVD	DATE



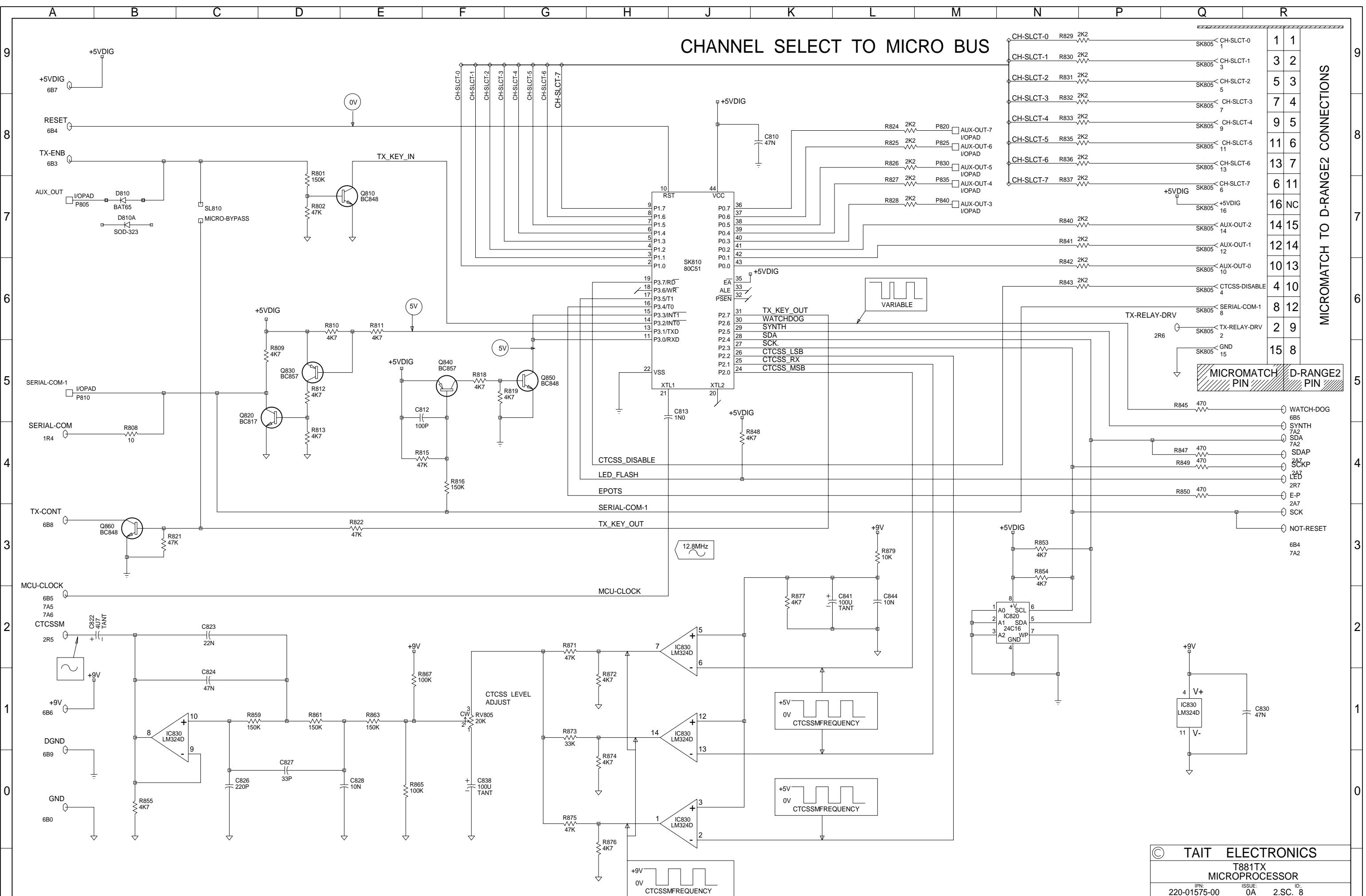
REV/ISS	AMENDMENTS	DRAWN	CHKD	D.O.	APVD	DATE



© TAIT ELECTRONICS			
T881TX SYNTHESIZER			
IPN: 220-01575-00	ISSUE: 0A	ID: 2.S.C. 7	
PROJECT: T881	DESIGNER: BEN C	FILE NAME: 1XXXXXX	DATE: 26-11-98
		NO. SHEETS: 10	

REV/ISS	AMENDMENTS	DRAWN	CHKD	D.O.	APVD	DATE
A						

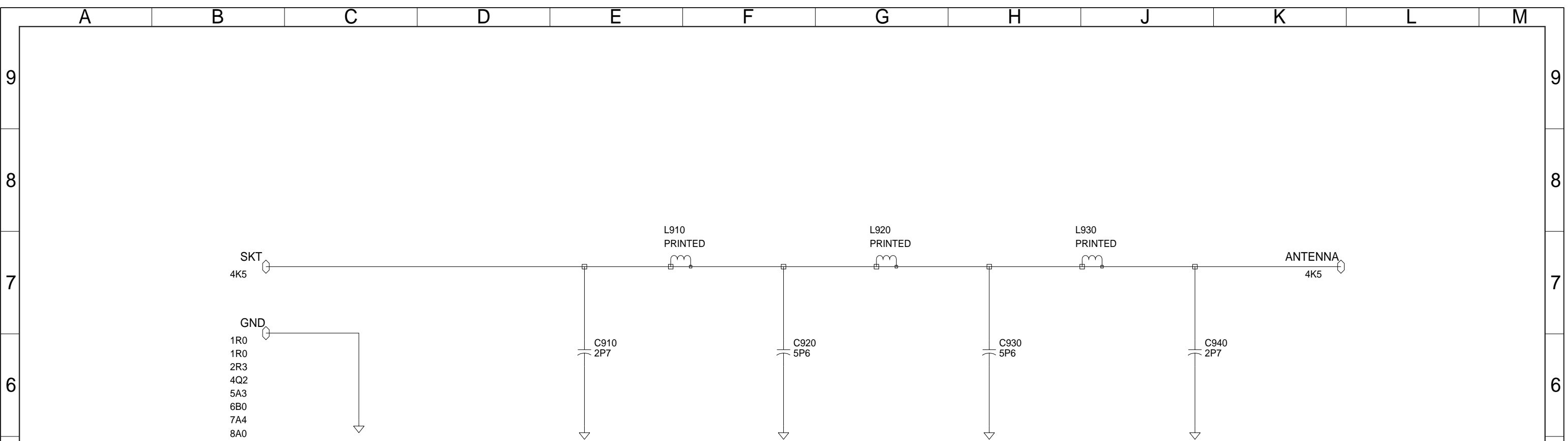
CHANNEL SELECT TO MICRO BUS



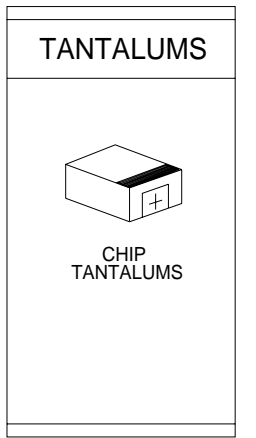
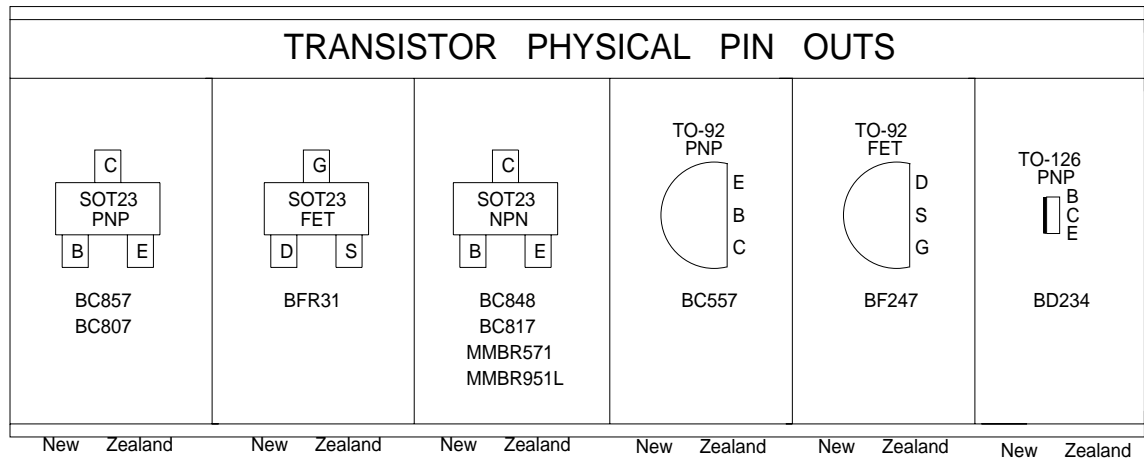
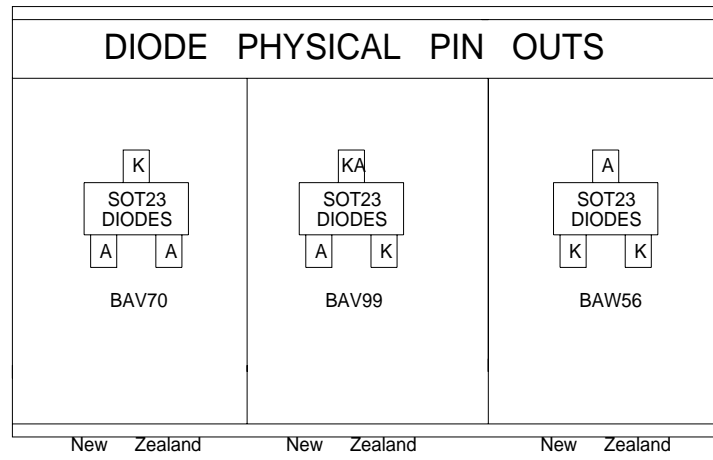
© TAIT ELECTRONICS
T881TX
MICROPROCESSOR

IPN: 220-01575-00	ISSUE: 0A	ID: 2.S.C. 8
PROJECT: T881	DESIGNER: BEN C	FILE NAME: 1XXXXXX
FILE DATE: 26-11-98	NO. SHEETS: 10	

REV/ISS	AMENDMENTS	DRAWN	CHKD	D.O.	APVD	DATE
A						



HARMONIC-FILTER



© TAIT ELECTRONICS

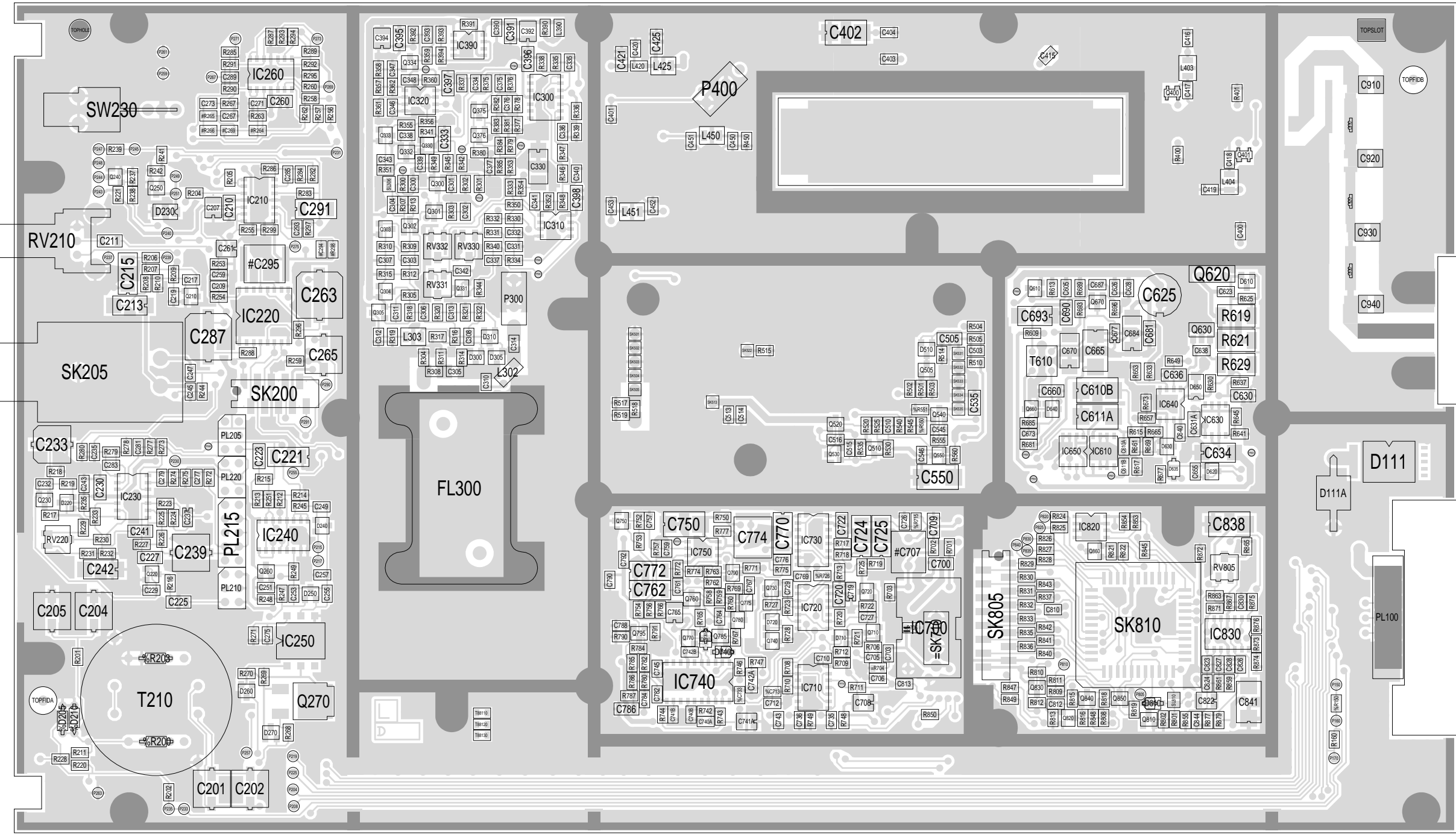
T881TX
HARMONIC-FILTER

IPN: 220-01575-00 ISSUE: 0A ID: 2.SC. 9

PROJECT: T881 DESIGNER: BEN C FILE NAME: 1XXXXXA FILE DATE: 26-11-98 NO.SHEETS: 10

REV/ISS	AMENDMENTS	DRAWN	CHKD	D.O.	APVD	DATE

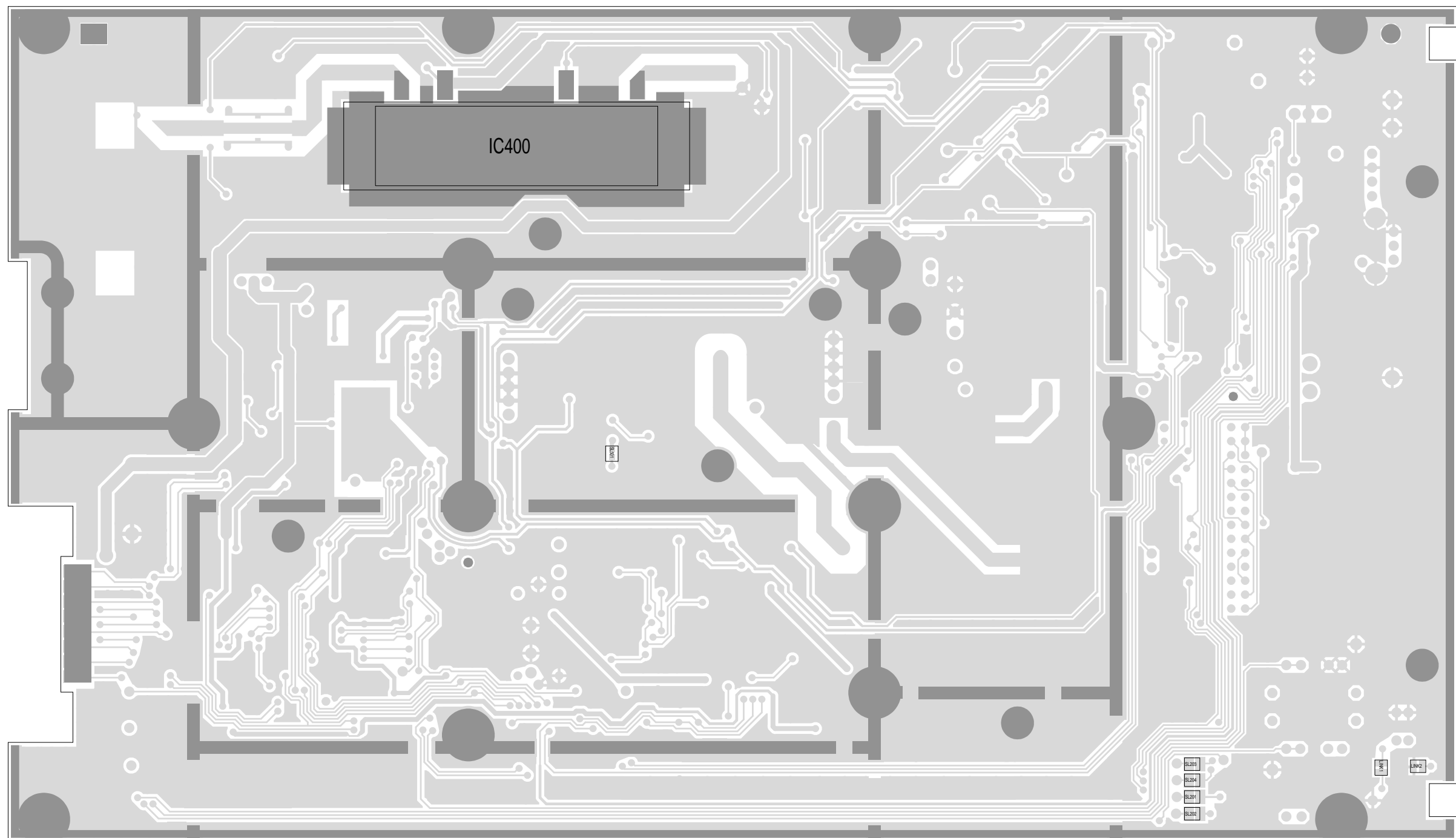
9
8
7
6
5
4
3
2
1



A B C D E F G H J K L M N P Q

TAIT ELECTRONICS IPN: 220-01575-00 ISS: -00 ID: 1.TA DATE: 16 Dec 1998
T881TX PCB LAYOUT - TOP SIDE

Scale: 1.2:1 ; Rotation: 0 degrees



Q P N M L K J H G F E D C B A

TAIT ELECTRONICS	IPN: 220-01575-00	ISS: -00	ID: 2.BA	DATE: 16 Dec 1998
T881TX PCB LAYOUT - BOTTOM SIDE				

Scale: 1.2:1 ; Rotation: 0 degrees